

INNOVATION THE ONLY WAY TO STAY AHEAD



PRODUCT CATALOGUE

MACNAUGHT Pty Ltd
41-49 Henderson Street
Turrella, New South Wales
Australia 2205

T +61 2 9567 0401
F +61 2 9597 7773
E info@macnaught.com
W www.macnaught.com

For Macnaught warranty,
terms and conditions see
macnaught.com/warranty

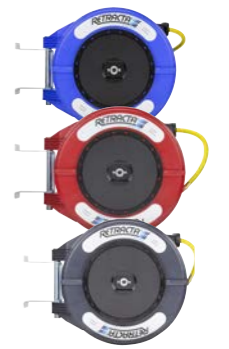
MP248_rev3



Retracta R3 Series - Poly Reels

- Compressed Air
- Water - Industrial/Domestic
- Grease & Oil
- Gas & Chemical
- RetractaFLEX

- 6**
- 8
- 9
- 10
- 11
- 12



Retracta F Series - Heavy Duty Reels

- Heavy Duty Twin Pedestal
- Heavy Duty Cradle
- Heavy Metered Duty Twin Pedestal
- Heavy Metered Duty Cradle

- 14**
- 15
- 16
- 18
- 19



Retracta E Series - Enclosed Reels

- 20**



Retracta H Series - AdBlue/DEF Reels

- 21**



Retracta In-store Product Support

- 22**

Retracta Digital Product Support

- 23**



RETRACTA IS THE BENCHMARK IN INDUSTRIAL STRENGTH RETRACTABLE HOSE REELS.

Over the decades the original Retractable poly reel has built an enviable reputation worldwide for performance and reliability. Through this, and with a long history of innovation and design, Macnaught has now developed an exciting new range of Retractable reels specifically designed and engineered for the most demanding industrial applications and environments.

Innovation has always been at the centre of the Macnaught success story and it's the platform for developing our expanded Retractable range.

At Macnaught we call it "Innovation by design".

Because we know that innovation is the only way to stay ahead.

To see innovation in action, find our exciting new range of Retractable reels at retracta.com





Innovation by design.

For 70 years, continual innovation has been the key to Macnaught's success. So, it's no surprise that through Macnaught's principle of "Innovation by design" that a new and exciting range of Retracta reels has been developed.

For decades now the original Retracta poly reel has built an enviable worldwide reputation for performance, reliability and safety. With this new suite of products, Retracta continues to set the benchmark for industrial strength, retractable hose reels. This industry leading range now incorporates multiple reel constructions, specifically designed and engineered for the most demanding industrial applications and environments.



The iconic Retracta poly reels have been reimagined and updated; and in a world first, the new Retracta R3 range includes an adjustable control return system. The patented RACR® 'Retracta Adjustable Control Return' system is supplied on all R3-P+ models. The RACR® system offers true control by allowing the user to set the speed of return to suit their individual requirements.



Adding to the stable of truly innovative products is the new range of RetractaFLEX hoses, available on a selection of our R3 Series reels. Featuring an innovative hybrid polymer that allows for the ultimate in flexibility and kink resistance under pressure.

RetractaFLEX



The Retracta family has also expanded to include the sleek E-Series range of enclosed reels for automotive workshop gantries; the Hybrid H-Series steel framed twin pedestal reels which feature a robust ABS drum; and in another world first, the heavy duty F-Series powder coated steel pedestal and cradle frame reels, which include a unique series of integrated 'Metered' models.



New design high-wear resistant mouth

Increased internal capacity

Upgraded main spring (TRC®)

Fully serviceable

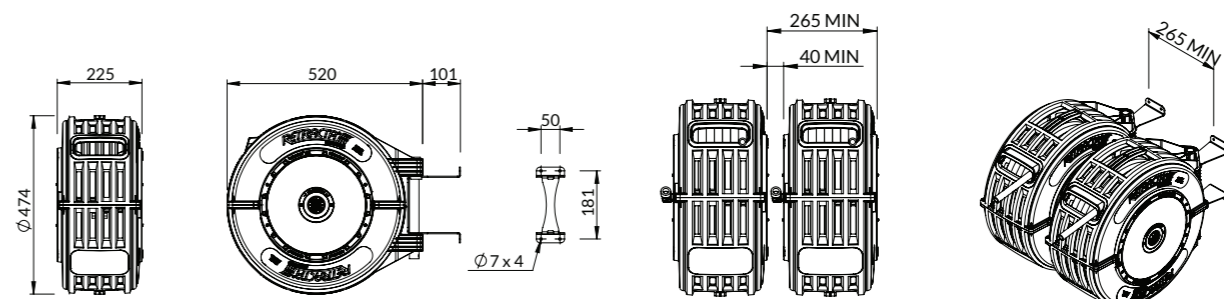
Integrated handle

Wider mounting bracket

Overrun protection on spring

Unique patented RACR®

- RACR®**
Retracta Adjustable Control Return system available on R3-P+ allows user speed control of returning hose.
- Upgraded Main Spring TRC®**
Higher capacity allowing more turns. Increased service life. Precise German engineering (Texture Rolled Carbon®)
- Integrated Handle**
Sleeker profile but retains functionality.
- High wear resistant mouth: ProGlide™**
Reduces friction between hose and reel mouth lessening wear and reducing fatigue.
- Increased internal capacity**
Reduces hose build-up and allows for longer hose lengths.
- Safe tensioning mechanism**
Uni-directional ratchet to stop main spring release while tensioning. No special tools required.
- Wider mounting bracket**
Sturdier, more stable support for reel. Simple mounting design.
- Overrun protection on spring**
Prevents spring damage on drum overrun.
- Fully serviceable**
Repair kits available. No special tools required. 10 year guarantee on parts availability.



COMPRESSED AIR

10
YEARS
MACNAUGHT
WARRANTY

R3 - PREMIUM + (All our premium can be fitted with RACR)

Carrying on the tradition of Retracta's premium offer, the **R3-P+** retains multiple case colour options, premium grade hoses and a wide range of hose size and length options. Also the patented **RACR®** 'Retracta Adjustable Control Return' system is supplied on all **R3-P+** models.

RACR benefits:

- Adjustable hose return speed
- Up to 85% speed reduction
- Eliminate hose whip hazard
- Essential safety for personnel and equipment

This world first adjustable control return system offers not only the safety of slowing the return speed of the hose when free to return, but goes beyond the simple one size fits all 'slow return' approach of noisy, fast wearing braking systems. Importantly, the **RACR®** system offers true control by allowing the user to set the speed of return to suit their individual requirements.



R3 - PREMIUM

| AIR 3/8" | Hose Size (ID) | Hose Material | Application | Working Pressure | Max Temp. | Reel Inlet | Hose Outlet | Hose Length | Color | Model | Fitted with RACR |
|----------|----------------|------------------------|----------------|------------------|--------------|-------------|-------------|-------------|-----------|-----------|------------------|
| | 10mm (3/8") | Premium Reinforced PVC | Compressed Air | 275psi | 60°C (140°F) | 3/8" BSP(F) | 1/4" BSP(M) | 20m (65ft) | Dark Grey | AR320D-01 | ARC320D-01 |
| | | | | | | | | | Red | AR320R-01 | ARC320R-01 |
| | | | | | | | | | Blue | AR320B-01 | ARC320B-01 |

| AIR 1/2" | Hose Size (ID) | Hose Material | Application | Working Pressure | Max Temp. | Reel Inlet | Hose Outlet | Hose Length | Color | Model | Fitted with RACR |
|----------|----------------|------------------------|----------------|------------------|--------------|-------------|-------------|-------------|-----------|-----------|------------------|
| | 12mm (1/2") | Premium Reinforced PVC | Compressed Air | 275psi | 60°C (140°F) | 3/8" BSP(F) | 3/8" BSP(M) | 15m (50ft) | Dark Grey | AR415D-01 | ARC415D-01 |
| | | | | | | | | | Red | AR415R-01 | ARC415R-01 |
| | | | | | | | | | Blue | AR415B-01 | ARC415B-01 |
| | | | | | | | | 20m (65ft) | Dark Grey | AR420D-01 | ARC420D-01 |
| | | | | | | | | | Red | AR420R-01 | ARC420R-01 |
| | | | | | | | | | Blue | AR420B-01 | ARC420B-01 |

R3 - STANDARD

| AIR/WATER 3/8" | Hose Size (ID) | Hose Material | Application | Working Pressure | Max Temp. | Reel Inlet | Hose Outlet | Hose Length | Color | Model |
|----------------|----------------|----------------|------------------------|------------------|--------------|-------------|-------------|-------------|-------|-----------|
| | 10mm (3/8") | Reinforced PVC | Compressed Air / Water | 250psi | 60°C (140°F) | 3/8" BSP(F) | 1/4" BSP(M) | 15m (50ft) | Blue | AW315B-01 |
| | | | | | | | | 20m (65ft) | Blue | AW320B-01 |

| AIR/WATER 1/2" | Hose Size (ID) | Hose Material | Application | Working Pressure | Max Temp. | Reel Inlet | Hose Outlet | Hose Length | Color | Model |
|----------------|----------------|----------------|------------------------|------------------|--------------|-------------|-------------|-------------|-------|-----------|
| | 12mm (1/2") | Reinforced PVC | Compressed Air / Water | 250psi | 60°C (140°F) | 3/8" BSP(F) | 3/8" BSP(M) | 15m (50ft) | Blue | AW415B-01 |
| | | | | | | | | 20m (65ft) | Blue | AW420B-01 |

Applications:

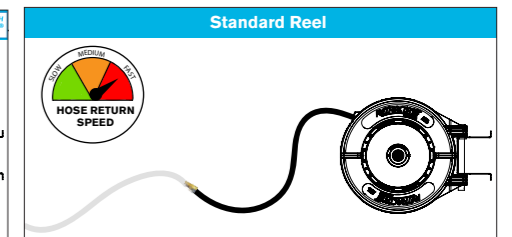
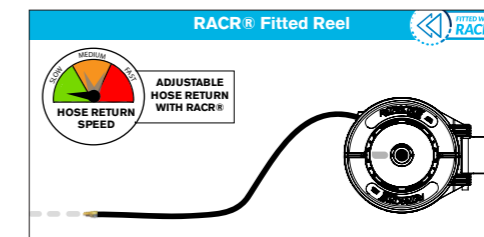
Automotive industry, automotive workshops, transport workshop, machine/factory workshop, petrol station (eg BP) regional farming centre.

WATER - INDUSTRIAL/DOMESTIC

10
YEARS
MACNAUGHT
WARRANTY

R3 - PREMIUM + (All our premium can be fitted with RACR)

The key feature to the Premium + range is the addition of **RACR®** (Retracta Adjustable Control Return). Its unique design provides an adjustable rewind control, enabling the user to set a safe hose return speed for individual requirements. The **RACR®** reduces the hose speed up to 85% pending on user preference. The slower the hose speed, the safer the overall work environment - as the return speed avoids damages caused by the hose whip. Look for the when choosing your reel.



R3 - PREMIUM

| GARDEN/HORTICULTURE | Hose Size (ID) | Hose Material | Application | Working Pressure | Max Temp. | Reel Inlet | Hose Outlet | Hose Length | Color | Model | Fitted with RACR |
|---------------------|----------------|------------------------------|---------------------|------------------|-----------|-----------------------------------|------------------------------------|-------------|-------|-----------|------------------|
| | 12mm (1/2") | Retracta FLEX Hybrid Polymer | Garden/Horticulture | 125 psi | 60°C | Snap-on fitting (Inc feeder hose) | Snap-on fitting (Inc spray nozzle) | 18m (60ft) | Green | DR418G-03 | DRC418G-03 |
| | | | | | | | | | Beige | DR418P-03 | DRC418P-03 |

| HOT WATER | Hose Size (ID) | Hose Material | Application | Working Pressure | Max Temp. | Reel Inlet | Hose Outlet | Hose Length | Color | Model | Fitted with RACR |
|-----------|----------------|----------------------------------|-------------|-----------------------------------|--------------|-------------|-------------|-------------|-------|-----------|------------------|
| | 12mm (1/2") | High Temp Chemical Resistant PVC | Hot Water | 290 psi at 20°C 100psi at 80°C | 85°C (185°F) | 1/2" BSP(F) | 1/2" BSP(M) | 15m (50ft) | Red | HW415R-01 | HWC415R-01 |
| | | | | | | | | 20m (65ft) | Red | HW420R-01 | HWC420R-01 |

| COLD WATER | Hose Size (ID) | Hose Material | Application | Working Pressure | Max Temp. | Reel Inlet | Hose Outlet | Hose Length | Color | Model | Fitted with RACR |
|------------|----------------|------------------------|-------------|------------------|--------------|-------------|------------------------------------|-------------|-------|-----------|------------------|
| | 12mm (1/2") | Premium Reinforced PVC | Cold Water | 150 psi | 60°C (140°F) | 1/2" BSP(F) | Brass snap-on fitting (Inc nozzle) | 15m (50ft) | Blue | CW415B-01 | CWC415B-01 |
| | | | | | | | | 20m (65ft) | Blue | CW420B-01 | CWC420B-01 |

| HIGH PRESSURE | Hose Size (ID) | Hose Material | Application | Working Pressure | Max Temp. | Reel Inlet | Hose Outlet | Hose Length | Color | Model | Fitted with RACR |
|---------------|----------------|---------------------------|---------------------|------------------|---------------|-------------|-------------|-------------|-------|-----------|------------------|
| | 10mm (3/8") | Steel Wire Braided Rubber | High Pressure Water | 3000 psi | 100°C (212°F) | 3/8" BSP(F) | 3/8" BSP(M) | 20m (65ft) | Red | HP320R-01 | HPC320R-01 |

Applications:

Automotive industry, automotive workshop, welding industry, machine workshop, metal fabrication workshop, regional farming centre, farming industry.

Retracta R3 Series

GREASE & OIL

10
YEARS
MACNAUGHT
WARRANTY*

R3 - PREMIUM + (All our premium can be fitted with RACR)

Carrying on the tradition of Retracta's premium offer, the **R3-P+** retains multiple case colour options, premium grade hoses and a wide range of hose size and length options. Also the patented **RACR**® 'Retracta Adjustable Control Return' system is supplied on all **R3-P+** models.

RACR benefits:

- Adjustable hose return speed
- Up to 85% speed reduction
- Eliminate hose whip hazard
- Essential safety for personnel and equipment

This world first adjustable control return system offers not only the safety of slowing the return speed of the hose when free to return, but goes beyond the simple one size fits all 'slow return' approach of noisy, fast wearing braking systems. Importantly, the **RACR**® system offers true control by allowing the user to set the speed of return to suit their individual requirements.



R3 - PREMIUM

| GREASE | Hose Size (ID) | Hose Material | Application | Working Pressure | Max Temp. | Reel Inlet | Hose Outlet | Hose Length | Color | Model | FITTED WITH RACR |
|--------|----------------|--------------------------------------|-------------|------------------|---------------|-------------|-------------|-------------|-----------|-----------|------------------|
| | 6mm (1/4") | Steel Wire Braided Rubber (SAE100R2) | Grease | 5000 psi | 100°C (212°F) | 1/4" BSP(F) | 1/4" BSP(M) | 15m (50ft) | Dark Grey | GR215D-01 | GRC215D-01 |
| | | | | | | | | | Black | GR215K-01 | GRC215K-01 |

| OIL | Hose Size (ID) | Hose Material | Application | Working Pressure | Max Temp. | Reel Inlet | Hose Outlet | Hose Length | Color | Model | FITTED WITH RACR |
|-----|----------------|--------------------------------------|-------------|------------------|--------------|-------------|-------------|-------------|-----------|------------|------------------|
| | 12mm (1/2") | Double Reinforced Rubber (SAE100R17) | Oil | 1000 psi | 90°C (194°F) | 1/2" BSP(F) | 1/2" BSP(M) | 15m (50ft) | Dark Grey | OMP415D-01 | OMPC415D-01 |
| | | | | | | | | | Blue | OMP415B-01 | OMPC415B-01 |

R3 - STANDARD

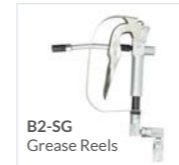
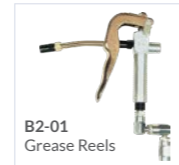
| GREASE | Hose Size (ID) | Hose Material | Application | Working Pressure | Max Temp. | Reel Inlet | Hose Outlet | Hose Length | Color | Model |
|--------|----------------|--------------------------------------|-------------|------------------|---------------|-------------|-------------|-------------|-------|-----------|
| | 6mm (1/4") | Steel Wire Braided Rubber (SAE100R2) | Grease | 5000 psi | 100°C (212°F) | 1/4" BSP(F) | 1/4" BSP(M) | 10m (32ft) | Blue | GR210B-01 |

| OIL | Hose Size (ID) | Hose Material | Application | Working Pressure | Max Temp. | Reel Inlet | Hose Outlet | Hose Length | Color | Model |
|-----|----------------|--------------------------------------|-------------|------------------|--------------|-------------|-------------|-------------|-------|------------|
| | 10mm (3/8") | Steel Wire Braided Rubber (SAE100R1) | Oil | 1000 psi | 90°C (194°F) | 1/2" BSP(F) | 1/2" BSP(M) | 10m (32ft) | Blue | OMP310B-01 |

Applications:

Automotive industry, automotive workshops, transport workshop, machine/factory workshop, petrol station (eg BP) regional farming centre. mining service centre.

Recommended to be used with:



GAS & CHEMICAL

10 YEARS
MACNAUGHT
WARRANTY

R3 - PREMIUM + (All our premium can be fitted with RACR)

Carrying on the tradition of Retracta's premium offer, the **R3-P+** retains multiple case colour options, premium grade hoses and a wide range of hose size and length options. Also the patented **RACR®** 'Retracta Adjustable Control Return' system is supplied on all **R3-P+** models.

RACR benefits:

- Adjustable hose return speed
- Up to 85% speed reduction
- Eliminate hose whip hazard
- Essential safety for personnel and equipment

This world first adjustable control return system offers not only the safety of slowing the return speed of the hose when free to return, but goes beyond the simple one size fits all 'slow return' approach of noisy, fast wearing braking systems. Importantly, the **RACR®** system offers true control by allowing the user to set the speed of return to suit their individual requirements.



R3 - PREMIUM

| OXY/ACET | Hose Size (ID) | Hose Material | Application | Working Pressure | Max Temp. | Reel Inlet | Hose Outlet | Hose Length | Color | Model | Fitted with RACR |
|----------|------------------|----------------------------|---------------------|------------------|--------------|-------------------|-------------------|-------------|-----------|-----------|------------------|
| | Twin 5mm (3/16") | Reinforced Rubber (AS1335) | Oxy/Acet | 175 psi | 80°C (176°F) | Gas Thread UNF(M) | Gas Thread UNF(F) | 15m (50ft) | Blue | OA215B-04 | OAC215B-04 |
| OXY/LPG | Hose Size (ID) | Hose Material | Application | Working Pressure | Max Temp. | Reel Inlet | Hose Outlet | Hose Length | Color | Model | Fitted with RACR |
| | Twin 5mm (3/16") | Reinforced Rubber (AS1335) | Oxy/LPG | 175 psi | 60°C (140°F) | Gas Thread UNF(M) | Gas Thread UNF(F) | 15m (50ft) | Black | OG215K-04 | OGC215K-04 |
| CHEMICAL | Hose Size (ID) | Hose Material | Application | Working Pressure | Max Temp. | Reel Inlet | Hose Outlet | Hose Length | Color | Model | Fitted with RACR |
| | 10mm (3/8") | Chemical Resistant PVC | Weedicide/Pesticide | 290 psi | 60°C (140°F) | 3/8" BSP(F) | 1/4" BSP(M) | 16m (52ft) | Red | WD316R-01 | WDC316R-01 |
| COOLANT | Hose Size (ID) | Hose Material | Application | Working Pressure | Max Temp. | Reel Inlet | Hose Outlet | Hose Length | Color | Model | Fitted with RACR |
| | 10mm (3/8") | Reinforced PVC | Coolant | 250 psi | 60°C (140°F) | 3/8" BSP(F) | 1/4" BSP(M) | 20m (65ft) | Dark Grey | CL320D-01 | CLC320D-01 |

Applications:

Automotive industry, automotive workshop, welding industry, machine workshop, metal fabrication workshop, regional farming centre, farming industry.

Recommended to be used with:



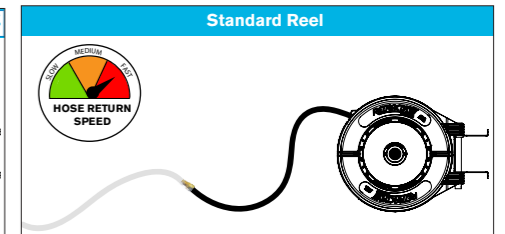
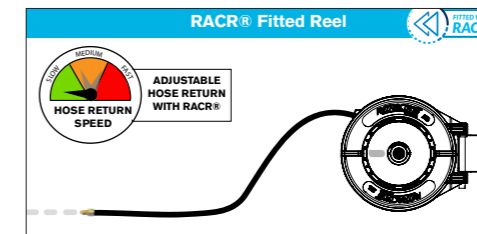
CCG-01

SPECIALTY REELS

10 YEARS
MACNAUGHT
WARRANTY

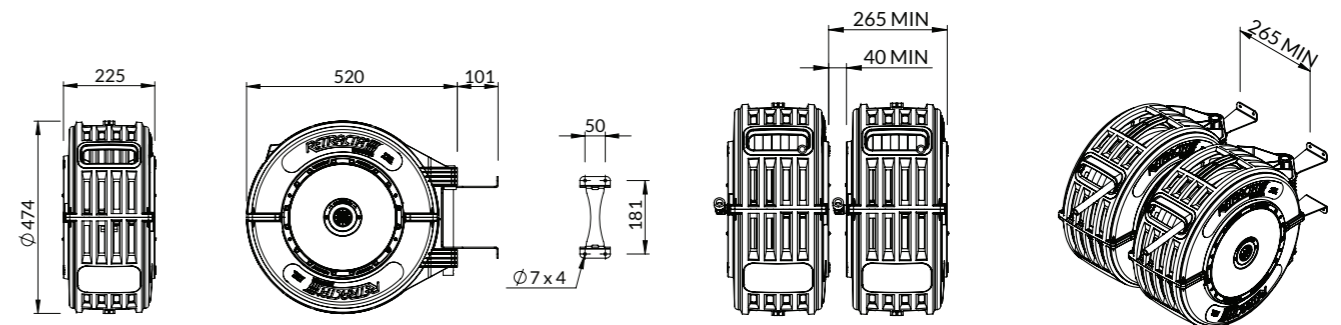
R3 - PREMIUM + (All our premium can be fitted with RACR)

The key feature to the Premium + range is the addition of **RACR®** (Retracta Adjustable Control Return). Its unique design provides an adjustable rewind control, enabling the user to set a safe hose return speed for individual requirements. The **RACR®** reduces the hose speed up to 85% pending on user preference. The slower the hose speed, the safer the overall work environment - as the return speed avoids damages caused by the hose whip. Look for the when choosing your reel.



R3 - PREMIUM

| ARGON | Hose Size (ID) | Hose Material | Application | Working Pressure | Max Temp. | Reel Inlet | Hose Outlet | Hose Length | Color | Model |
|--|----------------|----------------------------|----------------------|------------------|--------------|-------------------|-------------------|-------------|-----------|-------------|
| | 5mm (3/16") | Reinforced Rubber (AS1335) | Argon | 200 psi | 75°C (167°F) | Gas Thread UNF(M) | Gas Thread UNF(F) | 20m (65ft) | Dark Grey | ARG220D-04 |
| LPG | Hose Size (ID) | Hose Material | Application | Working Pressure | Max Temp. | Reel Inlet | Hose Outlet | Hose Length | Color | Model |
| | 5mm (3/16") | Reinforced Rubber (AS1335) | Propane | 200 psi | 75°C (167°F) | Gas Thread UNF(M) | Gas Thread UNF(F) | 20m (65ft) | Black | LPG220K-04 |
| AIR/WATER F.R.A.S (Fire Resistant Anti-Static) | Hose Size (ID) | Hose Material | Application | Working Pressure | Max Temp. | Reel Inlet | Hose Outlet | Hose Length | Color | Model |
| | 12mm (1/2") | Reinforced PVC (F.R.A.S.) | Compressed Air/Water | 300 psi | 60°C (140°F) | 1/2" BSP(F) | 1/2" BSP(M) | 15m (50ft) | Dark Grey | FRAS415D-01 |



Applications:

Automotive industry, automotive workshop, welding industry, machine workshop, metal fabrication workshop, regional farming centre, farming industry.

RetractaFLEX PREMIUM AIR & WATER HOSE REEL

Tangled hose lines will be a problem of the past. The NEW RetractaFLEX features an innovative hybrid polymer that allows for the ultimate in flexibility and kink resistance under pressure.

Fitted with a bend restrictor at the hose end, the UV stabilised, abrasion-resistant outer layer provides maximum durability.



Great flexibility within temperature range

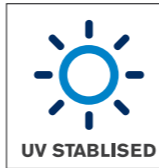
Kink-free under pressure

Light weight and easy to handle

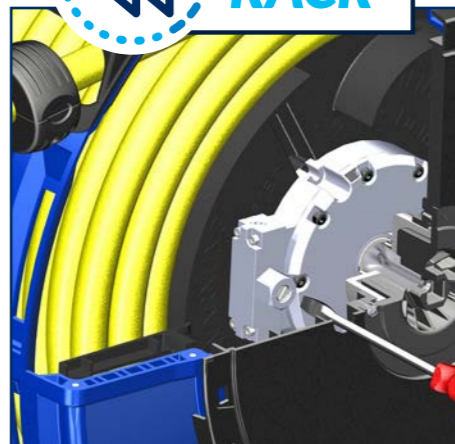
HI-VIS fluorescent colours for workplace safety

Memory free hose lays flat on the floor

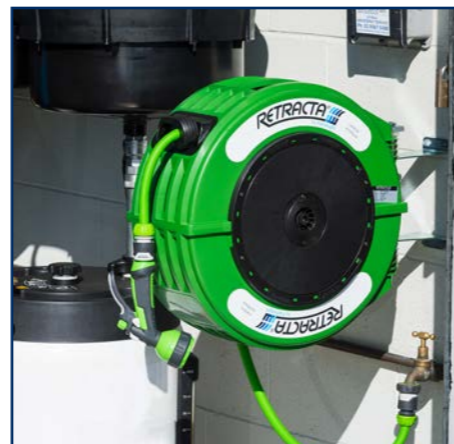
Bend restrictor included*



FOR WORKSHOP SAFETY
HI-VIS FLUORESCENT COLOURS



OPTIMISE SAFETY WITH
ADJUSTABLE REWIND SPEEDS

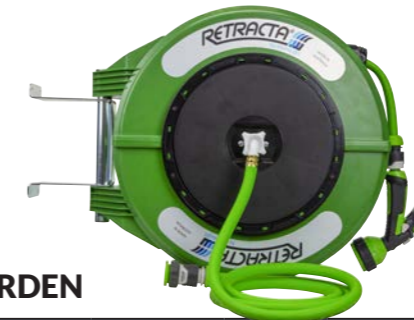


UV STABILISED FOR HARSH
AUSTRALIAN WEATHER CONDITIONS



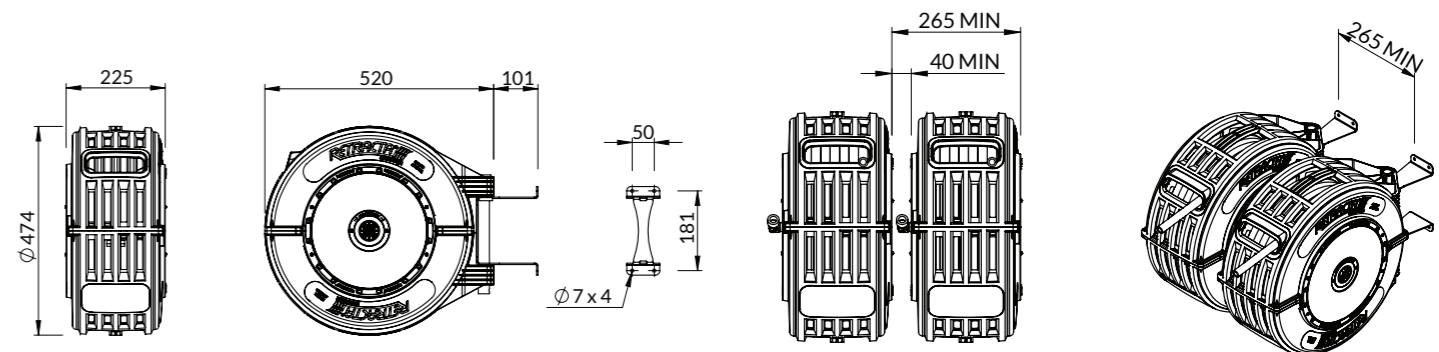
COMPRESSED AIR/WATER

| Retracta Flex Compressed Air/Water | Hose Size (ID) | Hose | Application | Working Pressure | Max Temp. | Reel Inlet | Hose Outlet | Hose Length | Hose Color | Case Colour | Model | FITTED WITH RACR | |
|------------------------------------|----------------|------------------------------|------------------------|------------------|--------------|-------------|-------------|-------------|------------|-------------|-----------|------------------|------------|
| | 10mm (3/8") | Retracta FLEX Hybrid Polymer | Compressed Air / Water | 300 psi | 60°C (140°F) | 3/8" BSP(F) | 1/4" BSP(M) | 20m (65ft) | Orange | Dark Grey | RO320D-01 | ROC320D-01 | |
| | | | | | | | | | | Blue | RO320B-01 | ROC320B-01 | |
| | | | | | | | | | | Dark Grey | RY320D-01 | RYC320D-01 | |
| | 12mm (1/2") | | | | | | | | Yellow | Blue | RY320B-01 | RYC320B-01 | |
| | | | | | | | | | | Orange | Dark Grey | RO420D-01 | ROC420D-01 |
| | | | | | | | | | | | Blue | RO420B-01 | ROC420B-01 |
| Yellow | Dark Grey | RY420D-01 | RYC420D-01 | | | | | | | | | | |
| | Blue | RY420B-01 | RYC420B-01 | | | | | | | | | | |



HORTICULTURE/GARDEN

| Retracta Flex Horticulture / Garden | Hose Size (ID) | Hose | Application | Working Pressure | Max Temp. | Reel Inlet | Hose Outlet | Hose Length | Hose Color | Case Colour | Model | FITTED WITH RACR |
|-------------------------------------|----------------|------------------------------|-----------------------|------------------|--------------|------------------------|------------------|-------------|------------|-------------|-----------|------------------|
| | 12mm (1/2") | Retracta FLEX Hybrid Polymer | Horticulture / Garden | 150 psi | 60°C (140°F) | Hose and Tap Connector | Spray Nozzle Gun | 18m (60ft) | Green | Green | DR418G-03 | DRC418G-03 |
| | | | | | | | | | | Beige | DR418P-03 | DRC418P-03 |



Applications:

Automotive industry, automotive workshops, Transport workshop, Machine/Factory workshop, Petrol station (eg BP) Regional farming centre.

Retracta F Series HD Twin Pedestal

F-SERIES PEDESTAL

Built with demanding Australian conditions in mind, the heavy duty powder coated steel F-Series Twin Pedestal hose reel boasts sealed bearings, stainless steel shafts, solid three sector ratchets, Viton® O'rings, quality hoses and corrosion resistant fixings. A narrow face dimension has been maintained to allow multiple reels to be fitted in tight locations such as the mine site service vehicle. Industry common footprints allow for minimum changes to cabinet design. Common threads are used at inlet, outlet and hose fittings and spare parts are available.



Quality hose and fittings

Stainless Steel shaft* for multi fluid use

Fully repairable

High strength powder coated steel construction for durability

Viton® O'rings

Adjustable roller guide arm

Sealed bearings

FEATURES AND BENEFITS

High quality hose and fitting

- Reels are fitted with industrial grade, model specific hydraulic hose selected for durability and suitable for most common applications.

Stainless Steel shaft* for multi fluid use

- All F-Series HD reels come standard with Stainless Steel shafts making the reel suitable for multiple applications from oils and grease to water and coolants
- Grease specific 3/8" high pressure model has zinc coated MS shaft.

Fully repairable

- Replacement parts are available.

High strength powder coated steel construction for durability

- Heavy gauge steel construction for use in arduous mobile conditions.
- Protected from corrosion through quality powder coating.

Adjustable roller guide arm

- Adjustable arm allows for multiple position mounting.

Sealed bearings

- Sealed for life against dust and water ingress.

Applications:

Automotive industry, Transport workshop, Truck workshop, Regional farming centre, Farming industry, mining service centre, mining underground.



F-SERIES HEAVY DUTY TWIN PEDESTAL

GREASE

| Model | Hose Size (ID) | Hose Material | Application | Hose Length | Working Pressure | Reel Inlet | Hose Outlet | O'ring Seal | Swivel Shaft | Swivel Housing | Reel Dimension |
|------------|----------------|-----------------------------|-------------|-------------|------------------|-------------------------------|-------------|-------------|------------------------|-------------------|----------------|
| FHG0915-01 | 10mm (3/8") | 3 Steel Wire Braided Rubber | Grease | 15m (50ft) | 5,000 psi | 3/8" BSP(F) (Inc feeder hose) | 3/8" BSP(M) | Viton® | Zinc coated mild steel | Zinc Coated Brass | Reel 1 |

AIR/WATER

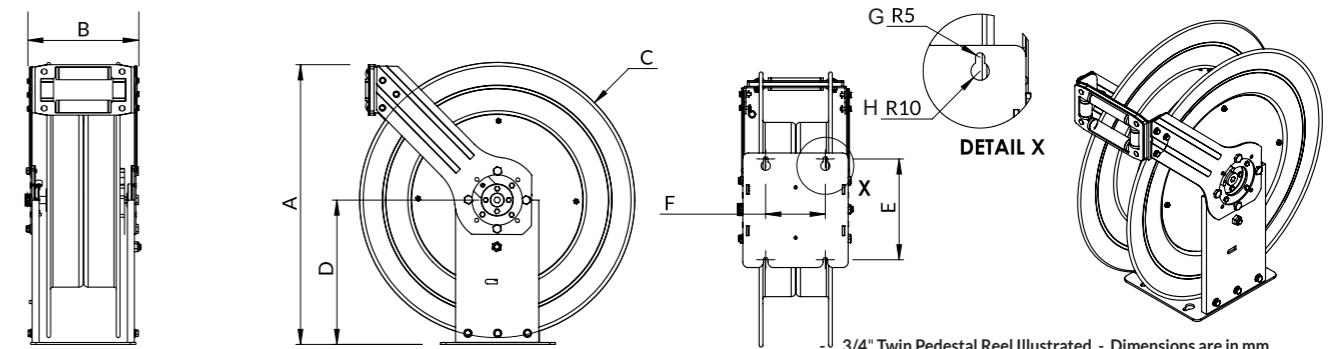
| Model | Hose Size (ID) | Hose Material | Application | Hose Length | Working Pressure | Reel Inlet | Hose Outlet | O'ring Seal | Swivel Shaft | Swivel Housing | Reel Dimension |
|------------|----------------|------------------------|-------------|-------------|------------------|-------------------------------|-------------|-------------|-----------------|-------------------|----------------|
| FHA1220-01 | 12mm (1/2") | Premium Reinforced PVC | Air/Water | 20m (65ft) | 250 psi | 1/2" BSP(F) (Inc feeder hose) | 1/2" BSP(M) | Viton® | Stainless Steel | Zinc Coated Brass | Reel 2 |

OIL/DIESEL

| Model | Hose Size (ID) | Hose Material | Application | Hose Length | Working Pressure | Reel Inlet | Hose Outlet | O'ring Seal | Swivel Shaft | Swivel Housing | Reel Dimension |
|------------|----------------|--------------------------------------|-------------|-------------|------------------|-------------------------------|-------------|-------------|-----------------|-------------------|----------------|
| FHO1215-01 | 12mm (1/2") | Steel Wire Braided Rubber (SAE100R1) | Oil/Diesel | 15m (50ft) | 2,000 psi | 1/2" BSP(F) (Inc feeder hose) | 1/2" BSP(M) | Viton® | Stainless Steel | Zinc Coated Brass | Reel 1 |
| FHO1915-01 | 19mm (3/4") | Steel Wire Braided Rubber (SAE100R2) | | | 1,450 psi | 3/4" BSP(F) (Inc feeder hose) | 3/4" BSP(M) | | | | Reel 2 |

BARE REEL

| Model | Hose Size (ID) | Hose Material | Application | Hose Capacity | Working Pressure | Reel Inlet | Hose Outlet | O'ring Seal | Swivel Shaft | Swivel Housing | Reel Dimension |
|------------|----------------|---------------|---------------|---------------|------------------|-------------|-------------|-------------|-----------------|-------------------|----------------|
| FHM1200-01 | 12mm (1/2") | - | Air/Water/Oil | 15m (50ft) | 2,000 psi | 1/2" BSP(F) | 1/2" BSP(M) | Viton® | Stainless Steel | Zinc Coated Brass | Reel 1 |
| FHM1900-01 | 19mm (3/4") | - | | | 1,450 psi | 3/4" BSP(F) | 3/4" BSP(M) | | | | Reel 2 |



3/4" Twin Pedestal Reel Illustrated - Dimensions are in mm

| Reel Dimension | A | B | C | D | E | F | G | H | Min Bend Radius |
|----------------|-----|-----|------|-----|-----|-----|------|-----|-----------------|
| Reel 1 | 550 | 180 | Ø515 | 280 | 216 | 130 | R4.8 | R10 | 140 |
| Reel 2 | 610 | 248 | Ø600 | 315 | 220 | 130 | R5 | R10 | 190 |

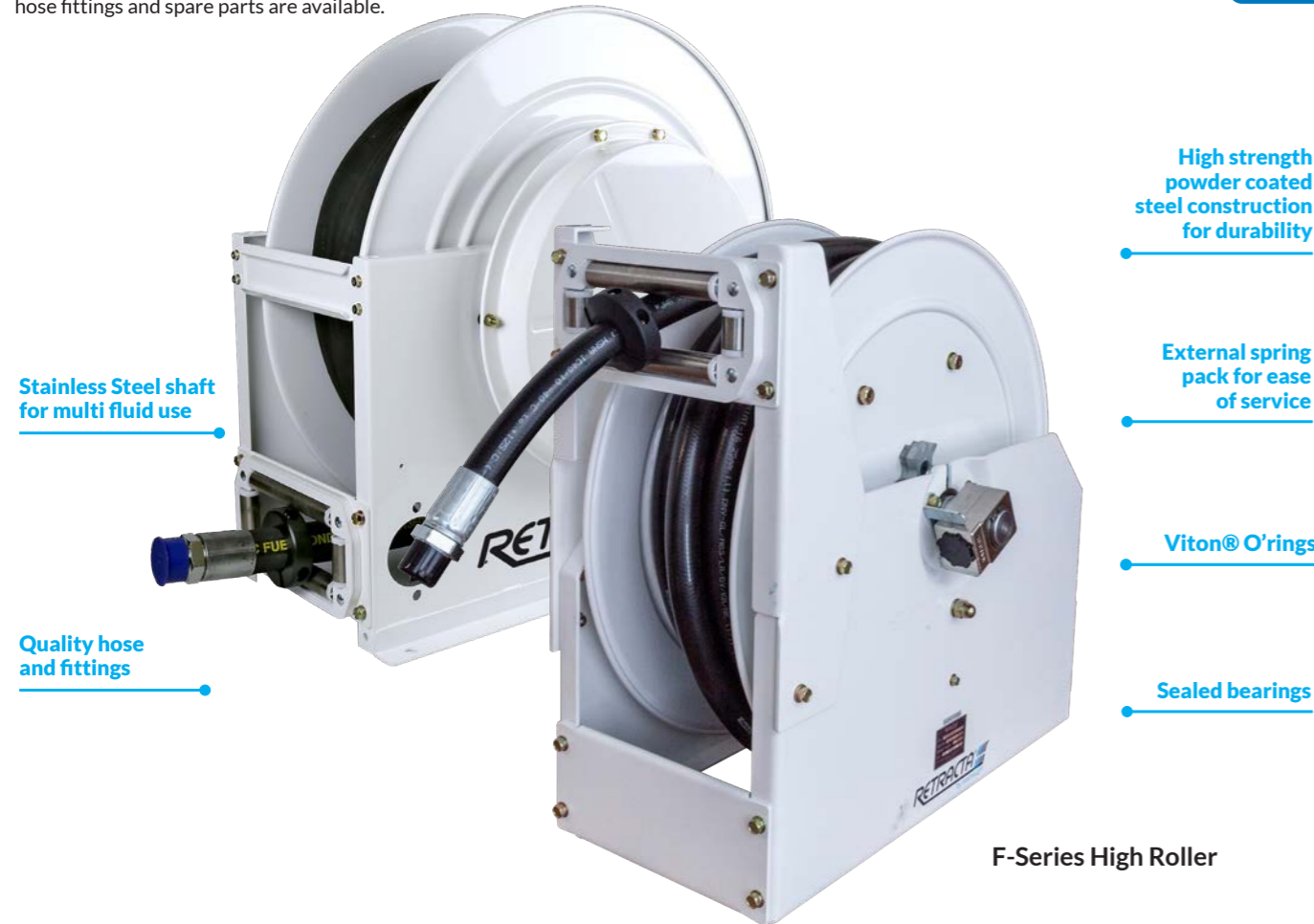
Recommended to be used with:



Retracta F Series HD Cradle

F-SERIES CRADLE

Built with demanding Australian conditions in mind, the heavy duty powder coated steel F-Series Cradle hose reel boasts sealed bearings, stainless steel shafts, solid three sector ratchets, Viton O'rings, quality hoses and corrosion resistant fixings. A narrow face dimension has been maintained to allow multiple reels to be fitted in tight locations such as the mine site service vehicle. Industry common footprints allow for minimum changes to cabinet design. Common threads are used at inlet, outlet and hose fittings and spare parts are available.



F-Series High Roller

FEATURES AND BENEFITS

High quality hose and fitting

- Reels are fitted with industrial grade, model specific hydraulic hose selected for durability and suitable for most common applications.
- Replacement parts are available.

Stainless Steel shaft* for multi fluid use

- All F-Series HD reels come standard with Stainless Steel shafts making the reel suitable for multiple applications from oils and grease to water and coolants

Fully repairable

- Replacement parts are available.

High strength powder coated steel construction for durability

- Heavy gauge steel construction for use in arduous mobile conditions.
- Protected from corrosion through quality powder coating.

Sealed bearings

- Sealed for life against dust and water ingress.

Applications:
Automotive industry, Transport workshop, Truck workshop, Regional farming centre, Farming industry, mining service centre, mining underground.



F-SERIES HEAVY DUTY CRADLE

AIR/WATER

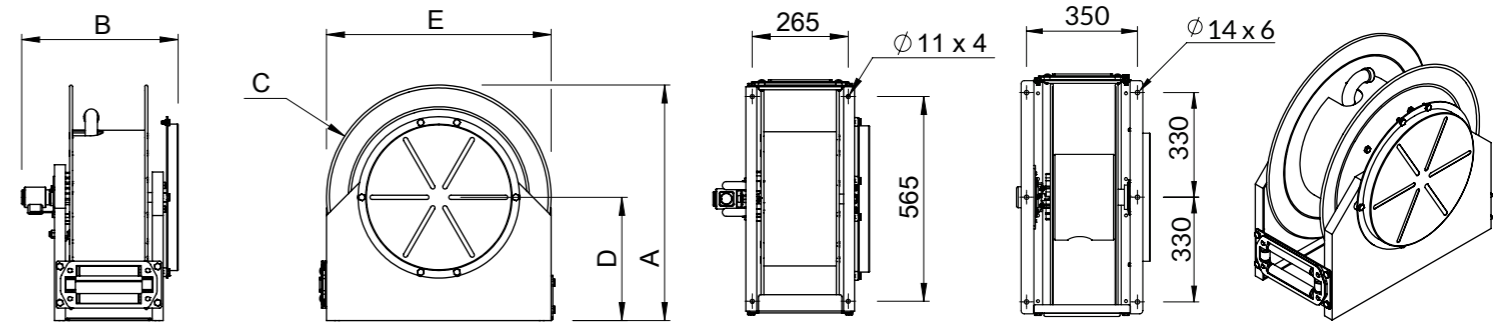
| Model | High Roller Model | Hose size (ID) | Hose Material | Application | Hose Length | Working Pressure | Reel Inlet | Hose Outlet | O'ring Seal | Swivel Shaft | Swivel Housing | Reel Dimension |
|------------|-------------------|----------------|------------------------|-------------|-------------|------------------|-------------|-------------|-------------|-----------------|-------------------|----------------|
| FHA1920-01 | FRW1920-01 | 19mm (3/4") | Premium Reinforced PVC | Air/Water | 20m (65ft) | 250 psi | 3/4" BSP(F) | 3/4" BSP(M) | Viton® | Stainless Steel | Zinc Coated Brass | Reel 1 |
| FCW2515-01 | FRW2515-01 | 25mm (1") | | | 15m (50ft) | | 1" BSP(F) | 1" BSP(M) | | | | |

OIL/DIESEL

| Model | High Roller Model | Hose size (ID) | Hose Material | Application | Hose Length | Working Pressure | Reel Inlet | Hose Outlet | O'ring Seal | Swivel Shaft | Swivel Housing | Reel Dimension |
|------------|-------------------|----------------|--------------------------------------|-------------|-------------|------------------|---------------|---------------|-------------|-----------------|-------------------|----------------|
| FCD2515-01 | FRD2515-01 | 25mm (1") | Steel Wire Braided Rubber (SAE100R1) | Oil/Diesel | 15m (50ft) | 1000 psi | 1" BSP(F) | 1" BSP(M) | Viton® | Stainless Steel | Zinc Coated Brass | Reel 1 |
| FCD3815-02 | FRD3815-02 | 38mm (1-1/2") | Steel Wire Braided Rubber (SAE100R1) | | | 500 psi | 1-1/2" NPT(F) | 1-1/2" NPT(M) | | | | Reel 2 |

BARE REEL

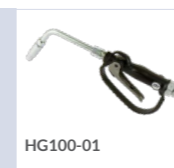
| Model | High Roller Model | Nominal Hose size (ID) | Hose Material | Application | Hose Capacity | Working Pressure | Reel Inlet | Swivel Outlet | O'ring Seal | Swivel Shaft | Swivel Housing | Reel Dimension |
|------------|-------------------|------------------------|---------------|---------------|---------------|------------------|---------------|---------------|-------------|-----------------|-------------------|----------------|
| FCM2500-01 | FRM2515-01 | 25mm (1") | - | Air/Water/Oil | 15m (50ft) | 1450 psi | 1" BSP(F) | 1" BSP(F) | Viton® | Stainless Steel | Zinc Coated Brass | Reel 1 |
| FCM3800-02 | FRM3815-02 | 38mm (1-1/2") | - | | | 500 psi | 1-1/2" NPT(F) | 1-1/2" NPT(F) | | | | Reel 2 |



| Reel Dimension | A | B | C | D | E | Min Bend Radius |
|----------------|-----|-----|------|-----|-----|-----------------|
| Reel 1 | 650 | 404 | Ø620 | 340 | 620 | 180 |
| Reel 2 | 728 | 421 | Ø715 | 370 | 735 | 130 |

- Dimensions are in mm

Recommended to be used with:



HG100-01

HG100-019E-01

L-ANHF

L-FNAD

F-SERIES METERED

The F-Series Metered hose reel represents the first hose reel developed worldwide with integrated flow meter and flow register. Offering unparalleled simplicity for OEMs, installers and users alike, there is no longer any need for separate mounting of meters, intermediate plumbing or vulnerable wiring between meters and registers. The reel comes completely fitted and wired to be placed in situ ready to function. The only installation required is bolting the unit down and the connection of the inlet fluids and outlet control. Although equally at home in static workshop situations, the F-Series range of metered hose reels has been specifically designed to meet the rigors of the mobile lube service vehicle.



Integrated meter

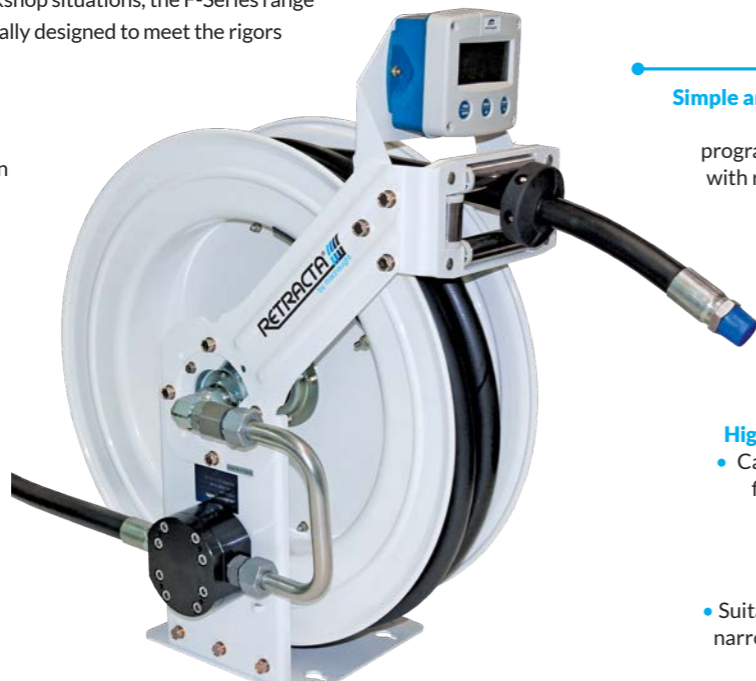
- Meter unit is protected by integration behind reel frame.

Durable heavy duty construction

- Stainless Steel shaft suitable for mine service vehicle mounts and harsh operating conditions.

Easy maintenance

- Featuring simple maintenance anodised aluminium meter body.



Simple and easy to operate display

- Clear digit display, simple programming and easy operation with robust powder coated steel register mount.

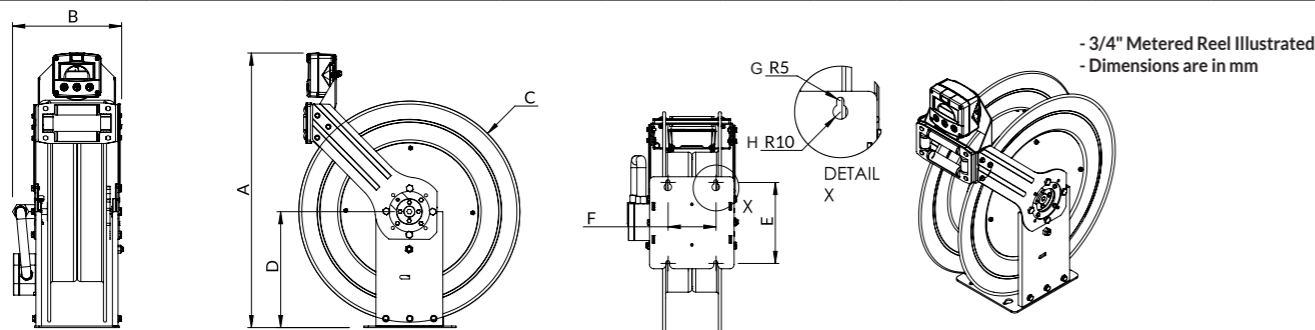
High quality hose and fittings

- Capable of handling multiple fluids and tough conditions.

Small footprint

- Suitable for service vehicle and narrow footprint requirements.

| Model | Hose size (ID) | Hose Material | Application | Hose Length | Working Pressure | Reel Inlet | Hose Outlet | Meter Flow Rate | Meter Accuracy | Meter Seal | Meter Body | Reel Dimension |
|-------------|----------------|--------------------------------------|-------------|-------------|------------------|-------------------------------|-------------|-----------------|----------------|------------|------------|----------------|
| FHXO1215-01 | 12mm (1/2") | Steel Wire Braided Rubber (SAE100R1) | Oil/Diesel | 15m (50ft) | 1250 psi | 1/2" BSP(F) (Inc feeder hose) | 1/2" BSP(M) | 2 - 30 LPM | 0.5% | Viton® | Aluminium | Reel 1 |
| FHXO1915-01 | 19mm (3/4") | Steel Wire Braided Rubber (SAE100R2) | | | 1250 psi | 3/4" BSP(F) (Inc feeder hose) | 3/4" BSP(M) | 3 - 80 LPM | 0.5% | | | Reel 2 |



| Reel Dimension | A | B | C | D | E | F | G | H | Min Bend Radius |
|----------------|-----|-----|------|-----|-----|-----|------|-----|-----------------|
| Reel 1 | 690 | 187 | Ø515 | 280 | 216 | 130 | R4.8 | R10 | 140 |
| Reel 2 | 745 | 296 | Ø600 | 315 | 220 | 130 | R5 | R10 | 190 |

Applications:
Automotive industry, transport workshop, truck workshop, regional farming centre, farming industry, mining service centre.

Recommended to be used with:



F-SERIES CRADLE METERED

The F-Series Metered hose reel represents the first hose reel developed worldwide with integrated flow meter and flow register. Offering unparalleled simplicity for OEMs, installers and users alike, there is no longer any need for separate mounting of meters, intermediate plumbing or vulnerable wiring between meters and registers. The reel comes completely fitted and wired to be placed in situ ready to function. The only installation required is bolting the unit down and the connection of the inlet fluids and outlet control. Although equally at home in static workshop situations, the F-Series range of metered hose reels has been specifically designed to meet the rigors of the mobile lube service vehicle.



Integrated meter

- Meter unit is protected by integration behind reel frame.

Durable heavy duty construction

- Stainless Steel shaft suitable for mine service vehicle mounts and harsh operating conditions.

Small footprint

- Suitable for service vehicle and narrow footprint requirements.



Cradle Structure

- Metering unit fitted to reel with all required connection.

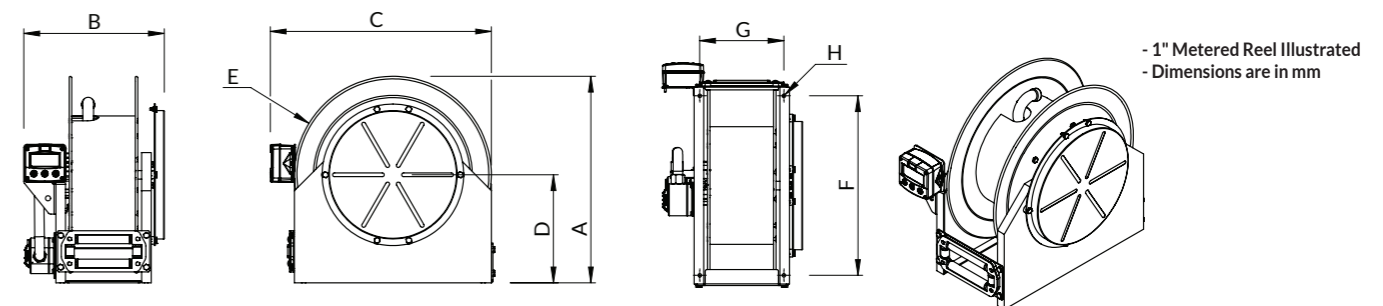
Simple and easy to operate display

- Clear digit display, simple programming and easy operation with robust powder coated steel register mount.

High quality hose and fittings

- Capable of handling multiple fluids and tough conditions.

| Model | Hose size (ID) | Hose Material | Application | Hose Length | Working Pressure | Reel Inlet | Hose Outlet | Meter Flow Rate | Meter Accuracy | Meter Seal | Meter Body | Reel Dimension |
|-------------|----------------|--------------------------------------|-------------|-------------|------------------|---------------|---------------|-----------------|----------------|------------|------------|----------------|
| FCXD2515-01 | 25mm (1") | Steel Wire Braided Rubber (SAE100R1) | Diesel | 15m (50ft) | 200 psi | 1" BSP(F) | 1" BSP(F) | 6-120 LPM | 0.5% | Viton® | Aluminium | Reel 1 |
| FCXD3815-01 | 38mm (1-1/2") | | | | 150 psi | 1-1/2" NPT(F) | 1-1/2" NPT(F) | 10-250 LPM | 0.5% | | | Reel 2 |



| Reel Dimension | A | B | C | D | E | F | G | H | Min Bend Radius |
|----------------|-----|-----|-----|-----|------|-----|-----|--------|-----------------|
| Reel 1 | 650 | 442 | 696 | 340 | Ø620 | 565 | 265 | Ø11 x4 | 180 |
| Reel 2 | 728 | 488 | 811 | 370 | Ø715 | 660 | 350 | Ø14 x6 | 130 |

Applications:
Automotive industry, transport workshop, truck workshop, regional farming centre, farming industry, mining service centre.

Recommended to be used with:



E-SERIES

Retracta E-Series fully enclosed hose reels have been developed to serve the needs of the Automotive industry. The neat, narrow design accommodates high density mounting in tight workshop bay environments. The E-Series hose reel is enclosed in a powder coated steel housing designed to protect against the ingress of contaminants while offering a sleek, clean appearance. Quality, industry standard hose and fitting used throughout. Fully repairable via simple side panel removal.

- Narrow body**
- Made from powder coated, pressed steel for rigidity and protection
 - Narrow footprint allows close mounting

- Fully repairable**
- All parts available
 - No special tools required

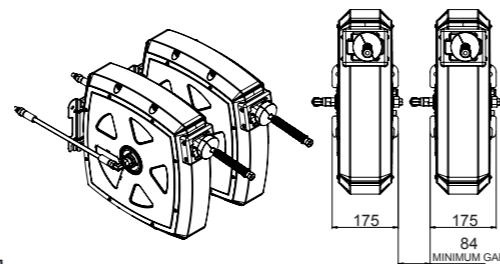
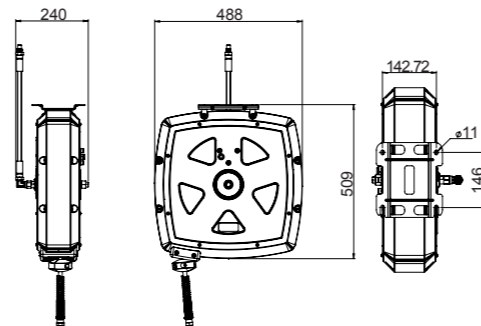
- Easy tensioning mechanism**
- Easy access to tensioning device
 - No special tools required



- Easy access to swivel**
- No need to disassemble the entire reel to access the swivel for maintenance or hose change

- Models available for multiple fluids**
- Oil
 - Coolant
 - Grease
 - Compressed Air
 - Water

includes feeder hose



Applications:
Automotive industry, Transport workshop, Truck workshop, Regional farming centre, Farming industry.

GREASE

| Model | Hose Size (ID) | Hose Material | Application | Hose Length | Working Pressure | Reel Inlet | Hose Outlet |
|----------|----------------|---------------------------|-------------|-------------|------------------|-------------|-------------|
| ESGR0610 | 6mm (1/4") | Steel Wire Braided Rubber | Grease | 10m (32ft) | 4000 psi | 1/4" BSP(M) | 1/4" BSP(M) |

AIR/WATER

| Model | Hose Size (ID) | Hose Material | Application | Hose Length | Working Pressure | Reel Inlet | Hose Outlet |
|-------------|----------------|---------------|-------------|-------------|------------------|-------------|-------------|
| ESAW1015-01 | 10mm (3/8") | PVC | Air/Water | 15m (50ft) | 200 psi | 3/8" BSP(M) | 3/8" BSP(M) |
| ESAW1210-01 | 12mm (1/2") | | | 10m (32ft) | | | |

OIL/DIESEL

| Model | Hose Size (ID) | Hose Material | Application | Hose Length | Working Pressure | Reel Inlet | Hose Outlet |
|------------|----------------|---------------------------|-------------|-------------|------------------|-------------|-------------|
| ESO1210-01 | 12mm (1/2") | Steel Wire Braided Rubber | Oil | 10m (32ft) | 1000 psi | 1/2" BSP(M) | 1/2" BSP(M) |

Recommended to be used with:



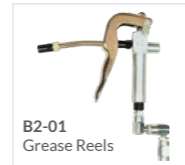
HG20R-01



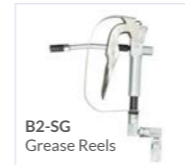
HG20R-012E-01



HG60-01



B2-01 Grease Reels



B2-5G Grease Reels

H-SERIES

Retracta H-Series composite hose reels offer superior impact and corrosion resistance thanks to the ABS drum. These reels are perfect for the rigours of transport and general industry. The light weight drum fittings and sturdy twin pedestal design allow fitment in fixed as well as mobile applications. Quality, industry standard hose and fitting used throughout. Fully repairable and comes with a 5 Year warranty.



- Fully repairable**
- All parts available
 - No special tools required

Industry standard hose and fitting

- 316 Stainless Steel wet parts**
- Compatible with Urea (AdBlue®, DEF)
- 3/4" flow path and hose**
- Reduced pressure loss
 - Industry standard fitting

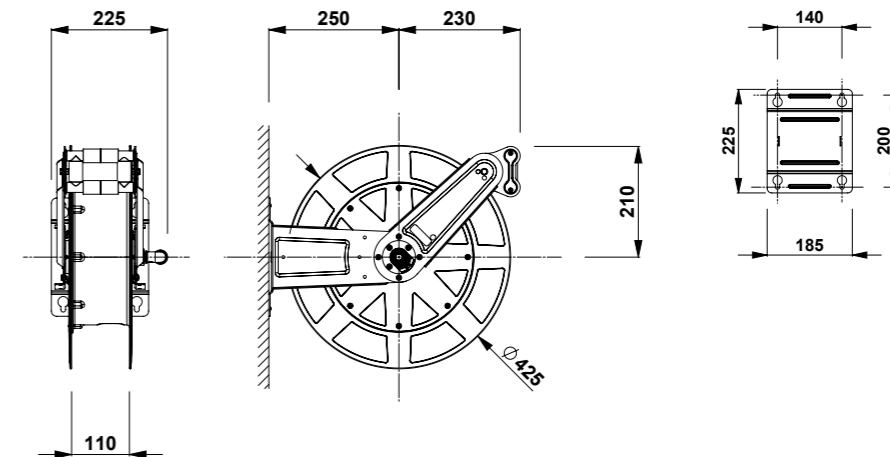


- High strength ABS drum**
- Impact resistant
 - Corrosion resistant

Powder coated steel frame

ADBLUE® / DEF

| Model | Hose Size (ID) | Hose Material | Application | Hose Length | Working Pressure | Reel Inlet | Hose Outlet |
|------------|----------------|---------------|----------------------|-------------|------------------|-------------|-------------|
| HAB1908-01 | 19mm (3/4") | PVC-PU | Urea (AdBlue® / DEF) | 8m (26ft) | 200 psi | 3/4" BSP(F) | 3/4" BSP(M) |



Recommended to be used with:



L-PAN

Applications:

Automotive industry, Transport workshop, Truck workshop, Regional farming centre, Farming industry.

Point of Sale Stand

Available in-store display stands for multiple Macnaught products (MP101 & MP102) or Retracta R3 only stand (MP8).

Please see your local Macnaught Sales Representative for ordering details.



H: 2,200
W: 900
D: 565

MP101

MP102
H: 1,380
W: 900
D: 565

MP8
H: 1,400
W: 915
D: 600

Macnaught e-Commerce Website

www.macnaught.com

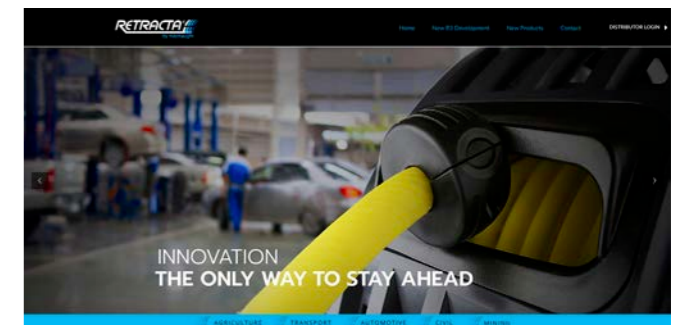
The premiere for all Macnaught product information and resources. Online ordering available for vendors and distributors.



Retracta Brand Microsite

www.retracta.com

Dedicated to Macnaught's Retracta Hose Reel brand. Latest news and information about the whole series can be found here.



Sell Sheets & Catalogues

Available A5 mini R3 Retracta Series Catalogue (MP131), A4 Retracta Complete Series catalogue (MP248), and RetractaFLEX sell sheet (MP265) for distribution.

Please see your local Macnaught Sales Representative for ordering details.

Macnaught Marketing Resource Centre (MRC)

www.macnaughtmrc.com.au

The one-stop-shop for all of Macnaught's marketing collateral. This includes product images, data sheets, instruction manuals, logos and brochures.

Register now to access exclusive content.



Macnaught Social Media Platforms



www.facebook.com/macnaughtau



www.linkedin.com/company/macnaught



www.instagram.com/macnaught/



www.youtube.com/c/macnaught